



SAFETY ALERT

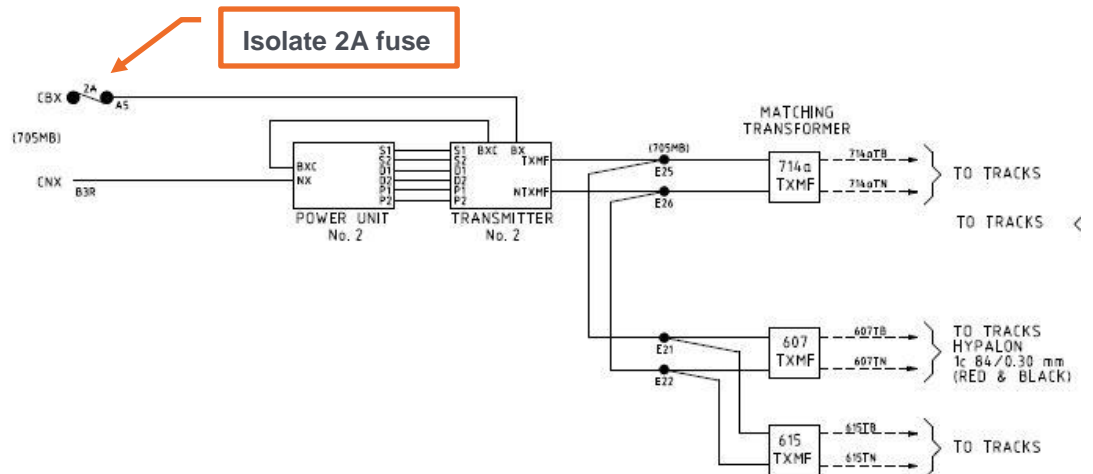
Jeumont Power Supply Incident

On 14 February 2019, a Metro Signals employee was replacing a Jeumont power unit inside of E-Box relay room and received an electric shock. The employee reported that he felt the shock travel up the arm and into the chest area. The employee attended hospital for tests, and was discharged with no issues.



Incident Update and Immediate Actions

The investigation is ongoing, however the immediate action to be taken by all Signal Maintenance Technicians when replacing any Jeumont components is to isolate the unit as per below.



Further updates will be provided upon completion of the investigation.

Authorised by
Alexandra Vallata
 Signals Renewal Manager, Infrastructure

REFERENCE
INF-ALRT-02-2019

ISSUE DATE
14/02/2019

CONTACT
Alexandra.Vallata@metrotrains.com.au

MetroSafe



SAFETY ALERT

The Responsible Manager is to determine the following:

Which areas in MTM are to be notified of this alert?

Check	Code	Division/Department
<input type="checkbox"/>	MTM	Entire MTM Network
<input type="checkbox"/>	CHE	Engineering / Chief Engineer
<input type="checkbox"/>	HMR	People & Performance
<input checked="" type="checkbox"/>	INF	Infrastructure Delivery
<input type="checkbox"/>	ELN	Electrical Networks
<input type="checkbox"/>	OCS	Operational Control Systems
<input type="checkbox"/>	SIG	Signals & OCS
<input type="checkbox"/>	STF	Structures & Facilities
<input type="checkbox"/>	TRK	Track Delivery
<input type="checkbox"/>	OPS	Operations
<input type="checkbox"/>	TSD	Train Service Delivery
<input type="checkbox"/>	SWS	Safeworking / Signalling
<input type="checkbox"/>	NOS	Network Operations
<input type="checkbox"/>	SER	Metrol
<input type="checkbox"/>		Customer Experience
<input type="checkbox"/>	STO	Stations Customer Experience
<input type="checkbox"/>	AOS	Authorised Officers
<input checked="" type="checkbox"/>	PRJ	Projects & Planning
<input type="checkbox"/>	ROS	Rolling Stock
<input checked="" type="checkbox"/>	SQE	Safety, Environment & Risk
<input type="checkbox"/>		Other (e.g. Other Divisions/Departments or people not listed):

Which contractors should be notified of this alert?

Note: This is undertaken by MetroSafe through the Avetta portal. All contractors/third parties have previously been tagged into their relevant MTM areas.

Check	Division/Department
<input type="checkbox"/>	All MTM Contractors and Third Parties
<input type="checkbox"/>	Corporate
<input checked="" type="checkbox"/>	Infrastructure
<input checked="" type="checkbox"/>	Projects
<input type="checkbox"/>	Rolling Stock
<input type="checkbox"/>	Operations

How should this alert be distributed and/or acknowledged?

Note: This section may be amended by the Division dependent on best method of distribution

Check	Division/Department
<input checked="" type="checkbox"/>	Issued via email
<input checked="" type="checkbox"/>	Placed on Noticeboards
<input type="checkbox"/>	Placed in staff pigeon holes / letterboxes
<input checked="" type="checkbox"/>	Delivered during toolbox discussions
<input type="checkbox"/>	Employees to acknowledge receipt
<input type="checkbox"/>	L4-SQE-FOR-070 Alert Register
<input type="checkbox"/>	Toolbox Attendance Records
<input type="checkbox"/>	Weekly Operational Notice (WON)
<input type="checkbox"/>	Other (specify):